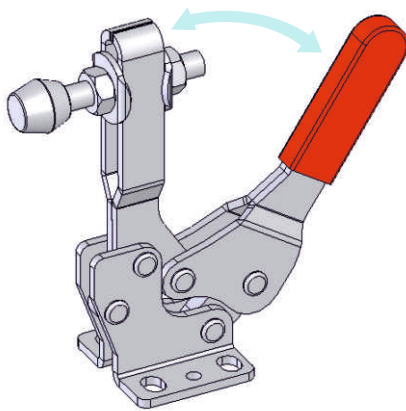


Horizontal Hold Down Action - International Range

The all new international equivalent range of toggle clamps from Steel-Smith. Now all the leading international toggle clamps have their equivalents in this range. What's more, these quality clamps come with hardened bushes for enhanced life, several safety features and slicker finish.



Extra distance for safety

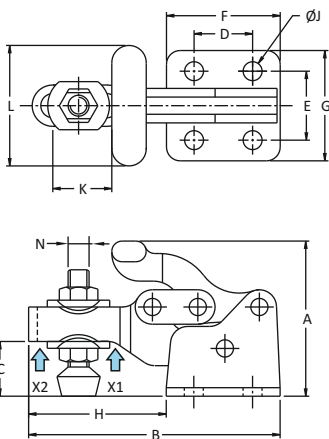


New improved design includes increased distance between the handle and the clamping arm. This ensures maximum safety during the clamp's fully open position.

Horizontal Hold Down Action H - 305, 307, 309 Series



Model No. H-305-U



Model No. H-307-U

Also Available
in Stainless Steel
H-305-U-SS
H-307-U-SS
H-309-U-SS

Model No.	Holding Capacity		Weight Kgs	Handle Moves	Bar Opens	Dimensions											
	X2	X1				A	B	C	D	E	F	G	H	J	K	L	N
H-305-U	0.20 kN	0.50 kN	0.070	175°	92°	38.0	59.0	13.5	13.5	16.0	26.1	25.4	30.0	4.5	11.5	32.0	M5 Bolt
H-307-U	1.10 kN	1.40 kN	0.250	175°	92°	62.0	93.0	23.5	23.0	29.4	43.6	46.6	46.0	7.0	17.0	51.0	M8 Bolt
H-309-U	2.30 kN	3.40 kN	0.600	160°	88°	91.2	131.8	33.3	35.1	38.1	64.0	62.7	67.6	8.4	26.9	78.0	M10 Bolt

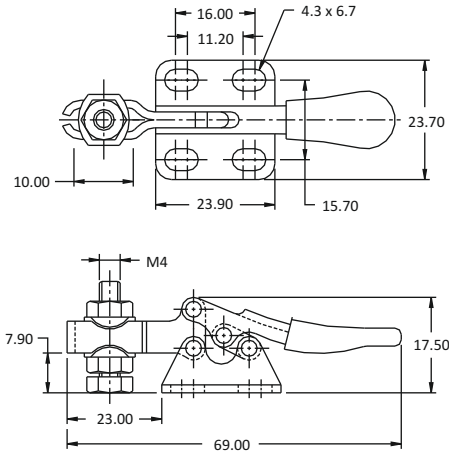
Horizontal Hold Down Action

Arm: Adjustable Arm
 Base: Flanged Mounting
 Holding Capacity: 0.30 kN.
 Weight: 0.030 Kgs.
 Handle Moves: 60°
 Bar Opens: 85°

Also Available
 in Stainless Steel
 H - 205 - U - SS



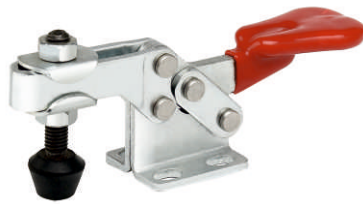
Model No. H - 205 U



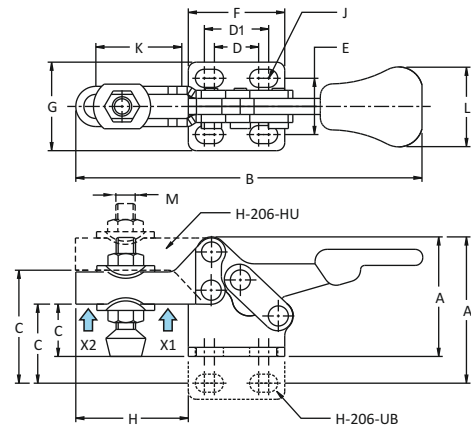
Horizontal Hold Down Action H - 206 Series



Model No. H-206-U



Model No. H-206-HU



Model No.	Arm Type	Base Type
H-206-U	Adjustable Arm	Flanged
H-206-UB	Adjustable Arm	Straight
H-206-HU	High Adjustable Arm	Flanged

Model No.	Holding Capacity		Weight Kgs	Handle Moves	Bar Opens	Dimensions												
	X2	X1				A	B	C	D	D1	E	F	G	H	J/Slot	K	L	M
H-206-U	0.20 kN	0.50 kN	0.040	90°	90°	29.0	86.0	12.5	11.1	15.8	15.9	24.2	24.3	29.0	4.3 x 6.8	12	20.0	M5 Bolt
H-206-UB	0.20 kN	0.50 kN	0.040	90°	90°	33.5	86.0	17.0	11.1	15.8	--	24.2	--	29.0	4.3 x 6.8	12	20.0	M5 Bolt
H-206-HU	0.20 kN	0.50 kN	0.040	90°	90°	29.0	86.0	20.5	11.1	15.8	15.9	24.2	24.3	29.0	4.3 x 6.8	12	20.0	M5 Bolt

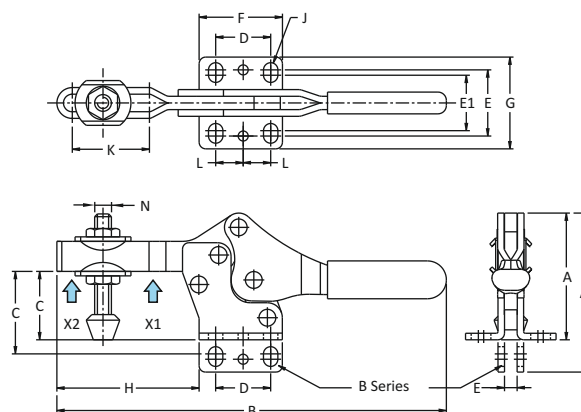
Horizontal Hold Down Action H - 217 Series



Model No. H-217-UB



Model No. H-217-U



Also Available
in Stainless Steel
H-217-U-SS
H-217-UB-SS

Model No.	Arm Type	Base Type
H-217-U	Adjustable Arm	Flanged
H-217-UB	Adjustable Arm	Straight

Model No.	Holding Capacity		Weight Kgs	Handle Moves	Bar Opens	Dimensions												
	X2	X1				A	B	C	D	E	E1	F	G	H	J	K	M	N
H-217-U	0.36 kN	1.00 kN	0.190	76°	92°	52.0	166.0	27.0	26.2	29.5	23.7	37.6	41.1	63.0	5.5 x 8.5	42.0	4.7	M6 Bolt
H-217-UB	0.36 kN	1.00 kN	0.190	76°	92°	63.5	166.0	34.0	26.2	6.0	-	37.6	-	63.0	5.5 x 8.5	42.0	4.7	M6 Bolt

Horizontal Hold Down Action H - 227, 237 Series



Model No. H-227-U



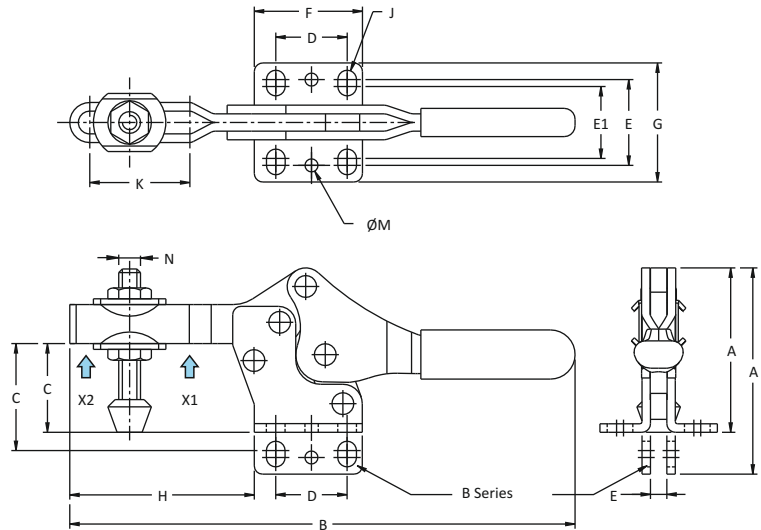
Model No. H-227-UB



Model No. H-237-UB



Model No. H-237-U



Also Available
in Stainless Steel
H-227-U-SS
H-227-UB-SS

Model No.	Arm Type	Base Type
H-227-U	Adjustable Arm	Flanged
H-227-UB	Adjustable Arm	Straight
H-237-U	Adjustable Arm	Flanged
H-237-UB	Adjustable Arm	Straight

Model No.	Holding Capacity		Weight Kgs	Handle Moves	Bar Opens	Dimensions												
	X2	X1				A	B	C	D	E	E1	F	G	H	J	K	M	N
H-227-U	1.00 kN	2.20 kN	0.300	62°	92°	62.0	190.0	34.0	26.2	31.6	26.6	39.6	44.0	72.0	6.8 x 9.4	41.1	4.7	M8 Bolt
H-227-UB	1.00 kN	2.20 kN	0.300	62°	92°	76.0	190.0	40.0	26.2	6.0	-	39.6	--	72.0	6.8 x 9.4	41.1	4.7	M8 Bolt
H-237-U	1.30 kN	3.40 kN	0.750	63°	92°	80.0	275.0	44.0	41.4	43.0	39.0	57.2	58.0	106.5	8.5 x 10.5	80.0	5.7	M10 Bolt
H-237-UB	1.30 kN	3.40 kN	0.750	63°	92°	99.0	275.0	51.6	41.4	8.0	-	57.2	-	106.0	8.5 x 10.5	80.0	5.7	M10 Bolt